

CITY OF STRONGSVILLE, OHIO

ORDINANCE NO. 2024 – 029

By: Mayor Perciak and All Members of Council

AN ORDINANCE REQUESTING PARTICIPATION IN AN OHIO DEPARTMENT OF TRANSPORTATION CONTRACT FOR THE PURCHASE OF TWO (2) WESTERN STAR 47X CAB AND CHASSIS UNITS, WITH APPURTENANCES, FOR USE BY THE SERVICE DEPARTMENT OF THE CITY; AUTHORIZING THE MAYOR AND THE DIRECTOR OF FINANCE TO DO ALL THINGS NECESSARY TO ENTER INTO AN AGREEMENT IN CONNECTION THEREWITH; AND DECLARING AN EMERGENCY.

WHEREAS, Ohio Revised Code Section 5513.01(B) provides the opportunity for counties, townships and municipal corporations to participate in, among other things, contracts of the Ohio Department of Transportation for the purchase of vehicles, machinery, materials, supplies or other articles; and

WHEREAS, this Council wishes to take advantage of that opportunity in connection with the purchase of two (2) new Western Star 47X cab and chassis units, with appurtenances, through the State of Ohio Department of Transportation Contract ID CTR018305, Index No. DOT023-24, for use by the Service Department of the City.

NOW, THEREFORE, BE IT ORDAINED BY THE COUNCIL OF THE CITY OF STRONGSVILLE, COUNTY OF CUYAHOGA AND STATE OF OHIO:

Section 1. That Council approves and authorizes the Mayor's request for authority in the name of the City of Strongsville to participate in the Ohio Department of Transportation contract with **CLEVELAND FREIGHTLINER, INC. dba VALLEY FREIGHTLINER, STERLING & WESTERN STAR TRUCKS OF CLEVELAND** for the purchase of two (2) new Western Star 47X cab and chassis units, with appurtenances, for use by the Service Department of the City, which contract the Department will have entered into pursuant to Revised Code Section 5513.01(B), in an amount not to exceed \$256,736.00, and as reflected on Exhibit A attached hereto.

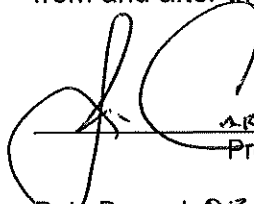
Section 2. That the City of Strongsville hereby agrees to be bound by the terms and conditions prescribed by the Director of the Ohio Department of Transportation for such purchases, and to directly pay the vendor under such contract of the Ohio Department of Transportation in which the City participates for the items it receives pursuant to the contract.

Section 3. That the Mayor and Director of Finance be and are hereby authorized to enter into and execute such agreements and documents as may be necessary to participate in the Ohio Department of Transportation Cooperative Purchasing Program.

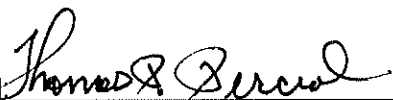
Section 4. That the funds for the purposes of said contract have been appropriated and shall be paid from the Street Construction, Maintenance & Repair Fund.

Section 5. That it is found and determined that all formal actions of this Council concerning and relating to the adoption of this Ordinance were adopted in an open meeting of this Council; and that all deliberations of this Council, and any of its committees, that resulted in such formal action were in meetings open to the public in compliance with all legal requirements.

Section 6. That this Ordinance is hereby declared to be an emergency measure necessary for the immediate preservation of the public peace, property, health, safety and welfare, and for the further reason that it is immediately necessary to participate in such program and purchase of such equipment in order to maintain continuity in the operation of the Service Department of the City, and to conserve public funds. Therefore, provided this Ordinance receives the affirmative vote of two-thirds of all members elected to Council it shall take effect and be in force immediately upon its passage and approval by the Mayor, otherwise from and after the earliest period allowed by law.



President of Council
Date Passed: 03 04 2024

Approved: 

Mayor

Date Approved: March 4, 2024

Attest: 

Clerk of Council

	<u>Yea</u>	<u>Nay</u>
Carbone	<input checked="" type="checkbox"/>	_____
Clark	<input checked="" type="checkbox"/>	_____
Kaminski	<input checked="" type="checkbox"/>	_____
Kosek	<input checked="" type="checkbox"/>	_____
Roff	<input checked="" type="checkbox"/>	_____
Short	<input checked="" type="checkbox"/>	_____
Spring	<input checked="" type="checkbox"/>	_____

Ord. No. 2024-029 Amended: _____
1st Rdg. 03-04-24 Ref: _____
2nd Rdg. Suspended Ref: _____
3rd Rdg. Suspended Ref: _____

Public Hrg. _____ Ref: _____
Adopted: 03-04-24 Defeated: _____

Prepared for:
Mike Gallagher
STRONGSVILLE CITY OF
16099 FOLTZ INDUSTRIAL
PKWY

STRONGSVILLE, OH 44149
Phone: 440-580-3176

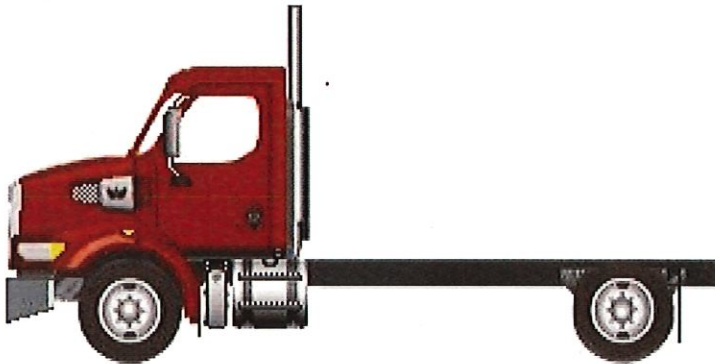
Prepared by:
Greg Simonic
VALLEY FREIGHTLINER, INC.
10901 Brookpark Rd
Parma, OH 44130
Phone: 216-267-4800

A proposal for
STRONGSVILLE CITY OF

Prepared by
VALLEY FREIGHTLINER, INC.
Greg Simonic

Feb 29, 2024

Western Star 47X



Components shown may not reflect all spec'd options and are not to scale

Application Version 11.9.606
Data Version PRL-28X.030
WSTR47X ODOT 023-22 ITEM 1
Strongsville

02/29/2024 11:13 AM

Page 1 of 21

EXHIBIT A

Prepared for:
 Mike Gallagher
 STRONGSVILLE CITY OF
 16099 FOLTZ INDUSTRIAL
 PKWY

STRONGSVILLE, OH 44149
 Phone: 440-580-3176

Prepared by:
 Greg Simonic
 VALLEY FREIGHTLINER, INC.
 10901 Brookpark Rd
 Parma, OH 44130
 Phone: 216-267-4800

S P E C I F I C A T I O N P R O P O S A L

Data Code	Description	Weight Front	Weight Rear
Price Level			
PRL-28X	WST 47X/49X PRL-28X (EFF:MY25 ORDERS)		
Data Version			
DRL-030	SPECPRO21 DATA RELEASE VER 030		
Vehicle Configuration			
001-470	WESTERN STAR 47X	9,050	6,525
004-225	2025 MODEL YEAR SPECIFIED		
002-004	SET BACK AXLE - TRUCK		
019-008	TRAILER TOWING PROVISION AT END OF FRAME WITH SAE J560, WITHOUT END OF FRAME AIR CONNECTIONS	15	15
003-001	LH PRIMARY STEERING LOCATION		
General Service			
AA1-003	TRUCK/TRAILER CONFIGURATION		
AA6-002	DOMICILED, USA (EXCLUDING CALIFORNIA AND CARB OPT-IN STATES)		
99D-027	EPA EMISSIONS CERTIFICATION FOR REGISTRATION OUTSIDE CARB STATES - EPA CLEAN IDLE (INCLUDES 6X4 INCH LABEL ON LOWER FORWARD OF DRIVER DOOR)		
AF2-998	NONE		
A85-010	UTILITY/REPAIR/MAINTENANCE SERVICE		
A84-1GM	GOVERNMENT BUSINESS SEGMENT		
AA4-010	DIRT/SAND/ROCK COMMODITY		
AA5-002	TERRAIN/DUTY: 100% (ALL) OF THE TIME, IN TRANSIT, IS SPENT ON PAVED ROADS		
AB1-008	MAXIMUM 8% EXPECTED GRADE		
AB5-001	SMOOTH CONCRETE OR ASPHALT PAVEMENT - MOST SEVERE IN-TRANSIT (BETWEEN SITES) ROAD SURFACE		
995-1A5	WESTERN STAR VOCATIONAL WARRANTY		
A66-99D	EXPECTED FRONT AXLE(S) LOAD : 18000.0 lbs		

Prepared for:
 Mike Gallagher
 STRONGSVILLE CITY OF
 16099 FOLTZ INDUSTRIAL
 PKWY

STRONGSVILLE, OH 44149
 Phone: 440-580-3176

Prepared by:
 Greg Simonic
 VALLEY FREIGHTLINER, INC.
 10901 Brookpark Rd
 Parma, OH 44130
 Phone: 216-267-4800

Data Code	Description	Weight Front	Weight Rear
A68-99D	EXPECTED REAR DRIVE AXLE(S) LOAD : 23000.0 lbs		
A67-99D	EXPECTED PUSHER AXLE(S) LOAD : 0.0 lbs		
A63-99D	EXPECTED GROSS VEHICLE WEIGHT CAPACITY : 41000.0 lbs		
A70-99D	EXPECTED GROSS COMBINATION WEIGHT : 80000.0 lbs		

Truck Service

AA3-018	FRONT PLOW/END DUMP BODY		
AF3-1N7	CONCORD ROAD EQUIPMENT		

Tractor Service

AA2-005	FLATBED TRAILER		
AH6-001	SINGLE (1) TRAILER		

Engine

101-3BT	CUM L9 350 HP @ 2200 RPM; 2200 GOV RPM, 1050 LB-FT @ 1200 RPM	-850	-70
---------	--	------	-----

Electronic Parameters

79A-065	65 MPH ROAD SPEED LIMIT		
79B-000	CRUISE CONTROL SPEED LIMIT SAME AS ROAD SPEED LIMIT		
79K-015	PTO MODE ENGINE RPM LIMIT - 2100 RPM		
79P-007	PTO RPM WITH CRUISE SET SWITCH - 1100 RPM		
79Q-007	PTO RPM WITH CRUISE RESUME SWITCH - 1100 RPM		
79U-006	PTO GOVERNOR RAMP RATE - 200 RPM PER SECOND		
79V-001	FUEL DOSING OF AFTERTREATMENT ENABLED IN PTO MODE-CLEANS HYDROCARBONS AT HIGH TEMPERATURES ONLY		
79W-025	CRUISE CONTROL BUTTON PTO CONTROL AND ONE REMOTE PTO SPEED		
79X-008	PTO SPEED 1 SETTING - 1100 RPM		
80G-014	PTO MINIMUM RPM - 650		
80J-001	REGEN INHIBIT SPEED THRESHOLD - 0 MPH		
80S-017	PTO 1, NO SWITCH, TEM SUPPLIED REQUEST AND INTERLOCKS, WITH PTO CONNECTIONS, ENGAGE WHILE DRIVING INTERLOCKS		
80V-004	ENGINE MOUNT PTO, TEM SUPPLIED REQUEST		

Engine Equipment

Prepared for:
 Mike Gallagher
 STRONGSVILLE CITY OF
 16099 FOLTZ INDUSTRIAL
 PKWY

STRONGSVILLE, OH 44149
 Phone: 440-580-3176

Prepared by:
 Greg Simonic
 VALLEY FREIGHTLINER, INC.
 10901 Brookpark Rd
 Parma, OH 44130
 Phone: 216-267-4800

Data Code	Description	Weight Front	Weight Rear
99C-024	EPA 2010/GHG 2024 CONFIGURATION		
13E-001	STANDARD OIL PAN		
105-001	ENGINE MOUNTED OIL CHECK AND FILL		
014-111	SIDE OF HOOD AIR INTAKE WITH ENGINE MOUNTED AIR CLEANER, WITH INSIDE/OUTSIDE AIR AND SNOW DOOR		
124-1E1	DR 12V 200 AMP 28-SI QUADRAMOUNT PAD ALTERNATOR WITH REMOTE BATTERY VOLT SENSE	-10	
292-222	(3) DTNA GENUINE, HIGH TEMP AGM STARTING AND CYCLING, MIN 2775CCA, 570RC, THREADED STUD BATTERIES		
290-1AC	PASSENGER SEAT BATTERY BOX VENTED TO OUTSIDE OF CAB		
282-013	BATTERY BOX MOUNTED UNDER PASSENGER SEAT		
291-017	WIRE GROUND RETURN FOR BATTERY CABLES WITH ADDITIONAL FRAME GROUND RETURN		
289-006	PLASTIC BATTERY BOX COVER		
293-058	POSITIVE LOAD DISCONNECT WITH CAB MOUNTED CONTROL SWITCH MOUNTED OUTBOARD DRIVER SEAT	2	
N 295-003	POSITIVE AND NEGATIVE POSTS FOR JUMPSTART CHASSIS MOUNTED LH BACK OF CAB	4	
107-032	CUMMINS TURBOCHARGED 18.7 CFM AIR COMPRESSOR WITH INTERNAL SAFETY VALVE		
152-041	ELECTRONIC ENGINE INTEGRAL SHUTDOWN PROTECTION SYSTEM		
128-1AR	CUMMINS ENGINE INTEGRAL BRAKE WITH VARIABLE GEOMETRY TURBO ON/OFF WITH BRAKE LAMPS	20	
016-1C2	RH OUTBOARD UNDER STEP MOUNTED HORIZONTAL AFTERTREATMENT SYSTEM ASSEMBLY WITH RH B-PILLAR MOUNTED VERTICAL TAILPIPE		
28F-015	ENGINE AFTERTREATMENT DEVICE, AUTOMATIC OVER THE ROAD ACTIVE REGENERATION AND VIRTUAL REGENERATION REQUEST SWITCH IN CLUSTER AND DASH MOUNTED INHIBIT SWITCH		
239-038	11 FOOT 06 INCH (138 INCH+0/-5.9 INCH) EXHAUST SYSTEM HEIGHT		
233-017	STANDARD CURVE BRIGHT UPPER STACK(S)		
237-1CR	RH CURVED VERTICAL TAILPIPE B-PILLAR MOUNTED ROUTED FROM STEP		

Prepared for:
 Mike Gallagher
 STRONGSVILLE CITY OF
 16099 FOLTZ INDUSTRIAL
 PKWY

STRONGSVILLE, OH 44149
 Phone: 440-580-3176

Prepared by:
 Greg Simonic
 VALLEY FREIGHTLINER, INC.
 10901 Brookpark Rd
 Parma, OH 44130
 Phone: 216-267-4800

Data Code	Description	Weight Front	Weight Rear
23U-027	8 GALLON DIESEL EXHAUST FLUID TANK		
23Z-005	UNPOLISHED ALUMINUM WST DIESEL EXHAUST FLUID TANK COVER		
43X-001	LH HEAVY DUTY STANDARD DIESEL EXHAUST FLUID TANK LOCATION		
43Y-001	STANDARD DIESEL EXHAUST FLUID TANK CAP		
242-001	STAINLESS STEEL AFTERTREATMENT DEVICE/MUFFLER/TAILOPIPE SHIELD		
273-058	AIR POWERED ON/OFF ENGINE FAN CLUTCH		
276-001	AUTOMATIC FAN CONTROL WITHOUT DASH SWITCH, NON ENGINE MOUNTED		
122-1H4	DETROIT FUEL/WATER SEPARATOR WITH WATER IN FUEL SENSOR AND 12 VOLT PREHEATER	10	
110-003	CUMMINS SPIN ON FUEL FILTER		
118-001	FULL FLOW OIL FILTER		
266-109	1400 SQUARE INCH VOCATIONAL RADIATOR WITH PROTECTION PACKAGE	20	
103-039	ANTIFREEZE TO -34F, OAT (NITRITE AND SILICATE FREE) EXTENDED LIFE COOLANT		
171-007	GATES BLUE STRIPE COOLANT HOSES OR EQUIVALENT		
270-016	RADIATOR DRAIN VALVE		
168-002	LOWER RADIATOR GUARD		
360-013	1350 ADAPTER FLANGE FOR FRONT PTO PROVISION	20	
138-011	PHILLIPS-TEMRO 1000 WATT/115 VOLT BLOCK HEATER	4	
140-022	CHROME ENGINE HEATER RECEPTACLE MOUNTED UNDER LH DOOR		
132-004	ELECTRIC GRID AIR INTAKE WARMER		
155-055	DELCO 12V 39MT HD/OCP STARTER WITH THERMAL PROTECTION AND INTEGRATED MAGNETIC SWITCH	-45	

Transmission

342-582	ALLISON 3000 RDS AUTOMATIC TRANSMISSION WITH PTO PROVISION	-230	-130
---------	--	------	------

Transmission Equipment

343-339	ALLISON VOCATIONAL PACKAGE 223 - AVAILABLE ON 3000/4000 PRODUCT FAMILIES WITH VOCATIONAL MODELS RDS, HS, MH AND TRV		
---------	---	--	--

Prepared for:
 Mike Gallagher
 STRONGSVILLE CITY OF
 16099 FOLTZ INDUSTRIAL
 PKWY

STRONGSVILLE, OH 44149
 Phone: 440-580-3176

Prepared by:
 Greg Simonic
 VALLEY FREIGHTLINER, INC.
 10901 Brookpark Rd
 Parma, OH 44130
 Phone: 216-267-4800

Data Code	Description	Weight Front	Weight Rear
84B-012	ALLISON VOCATIONAL RATING FOR ON/OFF HIGHWAY APPLICATIONS AVAILABLE WITH ALL PRODUCT FAMILIES		
84C-023	PRIMARY MODE GEARS, LOWEST GEAR 1, START GEAR 1, HIGHEST GEAR 6, AVAILABLE FOR 3000/4000 PRODUCT FAMILIES ONLY		
84D-023	SECONDARY MODE GEARS, LOWEST GEAR 1, START GEAR 1, HIGHEST GEAR 6, AVAILABLE FOR 3000/4000 PRODUCT FAMILIES ONLY		
84E-000	PRIMARY SHIFT SCHEDULE RECOMMENDED BY DTNA AND ALLISON, THIS DEFINED BY ENGINE AND VOCATIONAL USAGE		
84F-000	SECONDARY SHIFT SCHEDULE RECOMMENDED BY DTNA AND ALLISON, THIS DEFINED BY ENGINE AND VOCATIONAL USAGE		
84G-000	PRIMARY SHIFT SPEED RECOMMENDED BY DTNA AND ALLISON, THIS DEFINED BY ENGINE AND VOCATIONAL USAGE		
84H-000	SECONDARY SHIFT SPEED RECOMMENDED BY DTNA AND ALLISON, THIS DEFINED BY ENGINE AND VOCATIONAL USAGE		
85H-159	MAXIMUM OUTPUT SPEED FOR PTO OPERATION 4000 RPM - ALLISON 5TH GEN TRANSMISSIONS		
34C-011	ELECTRONIC TRANSMISSION WIRING TO CUSTOMER INTERFACE CONNECTOR		
362-823	CUSTOMER INSTALLED CHELSEA 280 SERIES PTO		
363-001	PTO MOUNTING, LH SIDE OF MAIN TRANSMISSION ALLISON		
341-018	MAGNETIC PLUGS, ENGINE DRAIN, TRANSMISSION DRAIN, AXLE(S) FILL AND DRAIN		
345-003	PUSH BUTTON ELECTRONIC SHIFT CONTROL, DASH MOUNTED		
370-006	WATER TO OIL TRANSMISSION COOLER		
346-003	TRANSMISSION OIL CHECK AND FILL WITH ELECTRONIC OIL LEVEL CHECK		
35T-001	SYNTHETIC TRANSMISSION FLUID (TES-295 COMPLIANT)		

Front Axle and Equipment

400-1BA	DETROIT DA-F-18.0-5 18,000# FL1 71.0 KPI/3.74 DROP SINGLE FRONT AXLE	90
418-060	CONMET PRESET PLUS PREMIUM IRON FRONT HUBS	20

Prepared for:
 Mike Gallagher
 STRONGSVILLE CITY OF
 16099 FOLTZ INDUSTRIAL
 PKWY

STRONGSVILLE, OH 44149
 Phone: 440-580-3176

Prepared by:
 Greg Simonic
 VALLEY FREIGHTLINER, INC.
 10901 Brookpark Rd
 Parma, OH 44130
 Phone: 216-267-4800

Data Code	Description	Weight Front	Weight Rear
402-013	MERITOR 16.5X6 Q+ CAST SPIDER HEAVY DUTY CAM FRONT BRAKES, DOUBLE ANCHOR, FABRICATED SHOES		
403-002	NON-ASBESTOS FRONT BRAKE LINING		
419-023	CONMET CAST IRON FRONT BRAKE DRUMS		
427-001	FRONT BRAKE DUST SHIELDS	5	
409-006	FRONT OIL SEALS		
408-001	VENTED FRONT HUB CAPS WITH WINDOW, CENTER AND SIDE PLUGS - OIL		
405-031	HALDEX AUTOMATIC FRONT SLACK ADJUSTERS WITH STAINLESS STEEL CLEVIS PINS		
536-104	DUAL POWER STEERING GEARS, BENDIX 16-20K	80	
534-003	4 QUART POWER STEERING RESERVOIR	5	
533-001	OIL/AIR POWER STEERING COOLER	5	
40T-002	CURRENT AVAILABLE SYNTHETIC 75W-90 FRONT AXLE LUBE		
Front Suspension			
620-005	18,000# FLAT LEAF FRONT SUSPENSION	240	
619-002	THREADED SPRING PINS AND BUSHINGS - FRONT SUSPENSION		
410-001	FRONT SHOCK ABSORBERS		
Rear Axle and Equipment			
420-051	CUMMINS-MERITOR RS-23-160 23,000# R-SERIES SINGLE REAR AXLE		-2,260
450-060	CONMET PRESET PLUS PREMIUM IRON REAR HUBS		30
421-563	5.63 REAR AXLE RATIO		
424-001	IRON REAR AXLE CARRIER WITH STANDARD AXLE HOUSING		
386-011	SPL170 XL DANA SPICER MAIN DRIVELINE WITH HALF ROUND YOKES	-75	-75
388-998	NO INTERAXLE (#3) DRIVELINE		
452-001	DRIVER CONTROLLED TRACTION DIFFERENTIAL - SINGLE REAR AXLE		20
878-018	(1) DRIVER CONTROLLED DIFFERENTIAL LOCK REAR VALVE FOR SINGLE DRIVE AXLE		
* 87B-015	INDICATOR LIGHT FOR EACH DIFFERENTIAL LOCKOUT SWITCH, ENGAGE <5 MPH, DISENGAGE >25 MPH		

Prepared for:
 Mike Gallagher
 STRONGSVILLE CITY OF
 16099 FOLTZ INDUSTRIAL
 PKWY

STRONGSVILLE, OH 44149
 Phone: 440-580-3176

Prepared by:
 Greg Simonic
 VALLEY FREIGHTLINER, INC.
 10901 Brookpark Rd
 Parma, OH 44130
 Phone: 216-267-4800

Data Code	Description	Weight Front	Weight Rear
423-085	MERITOR 16.5X8.62 Q+ CAST SPIDER HEAVY DUTY CAM REAR BRAKES, DOUBLE ANCHOR, FABRICATED SHOES		
433-002	NON-ASBESTOS REAR BRAKE LINING		
434-012	BRAKE CAMS AND CHAMBERS ON REAR SIDE OF DRIVE AXLE(S)		
451-023	CONMET CAST IRON REAR BRAKE DRUMS		
425-002	REAR BRAKE DUST SHIELDS		5
440-006	REAR OIL SEALS		
426-100	WABCO TRISTOP D LONGSTROKE 1-DRIVE AXLE SPRING PARKING CHAMBERS		-20
428-031	HALDEX AUTOMATIC REAR SLACK ADJUSTERS WITH STAINLESS STEEL CLEVIS PINS		
41T-002	CURRENT AVAILABLE SYNTHETIC 75W-90 REAR AXLE LUBE		
42T-001	STANDARD REAR AXLE BREATHER(S)		
Rear Suspension			
* 622-1DF	30,000# FLAT LEAF SPRING REAR SUSPENSION WITH HELPER AND RADIUS ROD		200
621-108	9.5 INCH NOMINAL RIDE HEIGHT (460MM GLOBAL REFERENCE HEIGHT)		
431-001	STANDARD AXLE SEATS IN AXLE CLAMP GROUP		
623-005	FORE/AFT CONTROL RODS		
439-998	NO REAR SHOCK ABSORBERS		-30
Pusher / Tag Equipment			
429-998	NO PUSHER/TAG BRAKE DUST SHIELDS		
Brake System			
490-1AU	WABCO 4S/4M ABS WITH TRACTION CONTROL WITH ATC SHUT OFF SWITCH		
871-001	REINFORCED NYLON, FABRIC BRAID AND WIRE BRAID CHASSIS AIR LINES		
432-003	RELAY VALVE WITH 5-8 PSI CRACK PRESSURE, NO REAR PROPORTIONING VALVE		
480-040	WABCO SYSTEM SAVER 1200 HEATED AIR DRYER WITH PRESSURE CONTROL VALVE		
483-004	WABCO OIL COALESCING FILTER FOR AIR DRYER		
N 479-006	AIR DRYER MOUNTED OUTBOARD ON RH RAIL		
460-019	ALUMINUM AIR BRAKE RESERVOIRS MOUNTED INSIDE RAILS	-10	-15

Prepared for:
 Mike Gallagher
 STRONGSVILLE CITY OF
 16099 FOLTZ INDUSTRIAL
 PKWY

STRONGSVILLE, OH 44149
 Phone: 440-580-3176

Prepared by:
 Greg Simonic
 VALLEY FREIGHTLINER, INC.
 10901 Brookpark Rd
 Parma, OH 44130
 Phone: 216-267-4800

Data Code	Description	Weight Front	Weight Rear
477-019	BW DV-2 AUTO DRAIN VALVE WITH HEATER TO WET TANK; DRAIN VALVE CABLES ON ALL OTHER TANKS		

Trailer Connections

* 296-010	PRIMARY CONNECTOR/RECEPTACLE WIRED FOR SEPARATE STOP/TURN, ABS CENTER PIN POWERED THROUGH IGNITION PRIMARY CONNECTOR/RECEPTACLE WIRED FOR COMBO STOP/TURN, ABS CENTER PIN POWERED THROUGH IGNITION		
303-025	SAE J560 7-WAY PRIMARY TRAILER CABLE RECEPTACLE MOUNTED END OF FRAME		

Wheelbase & Frame

545-392	3925MM (155 INCH) WHEELBASE		
546-1C3	11.0MM X 85.0MM X 287.0MM STEEL FRAME (0.43X3.35X11.30 INCH) 120 KSI	-180	280
552-037	1775MM (70 INCH) REAR FRAME OVERHANG		
55W-006	FRAME OVERHANG RANGE: 61 INCH TO 70 INCH	-30	80
549-036	12 INCH INTEGRAL FRONT FRAME EXTENSION	50	
AC8-99D	CALC'D BACK OF CAB TO REAR SUSP C/L (CA) : 89.37 in		
AE4-99D	CALC'D FRAME LENGTH - OVERALL : 281.36 in		
ZF1-99D	FRAME HEIGHT TOP FRONT UNLADEN : 44.34 in		
ZF2-99D	FRAME HEIGHT TOP FRONT LADEN : 40.74 in		
ZF3-99D	FRAME HEIGHT TOP REAR UNLADEN : 43.33 in		
ZF4-99D	FRAME HEIGHT TOP REAR LADEN : 40.41 in		
553-001	SQUARE END OF FRAME		
559-001	STANDARD WEIGHT ENGINE CROSSMEMBER		
561-015	STANDARD CAST ALUMINUM CROSSMEMBER BACK OF TRANSMISSION		
562-063	STANDARD CAST ALUMINUM MIDSHIP		
572-078	HEAVY DUTY REAR C-CHANNEL CROSSMEMBER, NON-TOWING		70
565-001	STANDARD SUSPENSION CROSSMEMBER		20
* 568-001	STANDARD WEIGHT REAR SUSPENSION CROSSMEMBER		

Chassis Equipment

025-001	UNPOLISHED ALUMINUM WST EQUIPMENT COVERS		
---------	--	--	--

Prepared for:
 Mike Gallagher
 STRONGSVILLE CITY OF
 16099 FOLTZ INDUSTRIAL
 PKWY

STRONGSVILLE, OH 44149
 Phone: 440-580-3176

Prepared by:
 Greg Simonic
 VALLEY FREIGHTLINER, INC.
 10901 Brookpark Rd
 Parma, OH 44130
 Phone: 216-267-4800

Data Code	Description	Weight Front	Weight Rear
556-997	OMIT FRONT BUMPER, CUSTOMER INSTALLED SPECIAL BUMPER, DOES NOT COMPLY WITH FMCSR 393.203	-60	
558-998	NO FRONT TOW HOOKS	-15	
574-998	NO LICENSE PLATE MOUNTING		
585-042	BETTS B-25 PAINTED MUDFLAP BRACKETS		15
* 590-999	CUSTOM MUDFLAPS BLACK MUDFLAPS		
551-034	CLASS 10.9 THREADED METRIC FASTENERS		
44Z-005	EXTERIOR HARNESSES WRAPPED IN ABRASION TAPE, SECONDARY COVERING, & CONNECTOR PROTECTION		

Fuel Tanks

204-152	70 GALLON/264 LITER ALUMINUM FUEL TANK - LH		
218-006	25 INCH DIAMETER FUEL TANK(S)		
215-007	PLAIN ALUMINUM/PAINTED STEEL FUEL/HYDRAULIC TANK(S) WITH POLISHED STAINLESS STEEL BANDS		
212-007	FUEL TANK(S) FORWARD		
664-001	PLAIN STEP FINISH		
205-001	FUEL TANK CAP(S)		
216-020	EQUIFLO INBOARD FUEL SYSTEM		
202-016	HIGH TEMPERATURE REINFORCED NYLON FUEL LINE		

Tires

093-1RJ	MICHELIN X WORKS Z 315/80R22.5 20 PLY RADIAL FRONT TIRES	100	
094-17X	MICHELIN X MULTI D+ 11R22.5 16 PLY RADIAL REAR TIRES		60

Wheels

502-664	ALCOA ULTRA ONE 89U63X 22.5X9.00 10-HUB PILOT 3.12 INSET 10-HD ALUMINUM FRONT WHEELS	-44	
505-766	ALCOA ULA18X 22.5X8.25 10-HUB PILOT ALUMINUM DISC REAR WHEELS		-124
524-022	POLISHED DISC SIDE FRONT WHEELS WITH DURA-BRIGHT FINISH		
525-023	POLISHED OUTER (DISHED SIDE) REAR WHEELS WITH OUTER ONLY DURA-BRIGHT FINISH		
496-011	FRONT WHEEL MOUNTING NUTS		

Prepared for:
 Mike Gallagher
 STRONGSVILLE CITY OF
 16099 FOLTZ INDUSTRIAL
 PKWY

STRONGSVILLE, OH 44149
 Phone: 440-580-3176

Prepared by:
 Greg Simonic
 VALLEY FREIGHTLINER, INC.
 10901 Brookpark Rd
 Parma, OH 44130
 Phone: 216-267-4800

Data Code	Description	Weight Front	Weight Rear
497-011	REAR WHEEL MOUNTING NUTS		
Cab Exterior			
829-053	111.6 INCH BBC CONVENTIONAL ALUMINUM CAB		
82A-028	STAINLESS STEEL CAB ACCENT MOLDING		
667-001	FRONT FENDERS		
754-017	BOLT-ON MOLDED FLEXIBLE FENDER EXTENSIONS	10	
678-066	INTERIOR GRAB HANDLES WITH ADDED LOWER LH AND RH A PILLAR GRAB HANDLES AND LH AND RH EXTERIOR NON-SLIP GRAB HANDLES		
65X-010	BRIGHT HOOD MOUNTED AIR INTAKE GRILLE, BLACK SCREEN, WITH LED ACCENT LIGHTS		
640-016	X-SERIES STEEL REINFORCED ALUMINUM CAB		
644-048	X-SERIES VOCATIONAL HOOD		
67U-001	HOOD OPENING ASSIST WITH LOCKING STRUT		
652-016	WESTERN STAR NAMEPLATES		
727-1AY	SINGLE AIR HORN UNDER LH DECK	-4	
726-001	SINGLE ELECTRIC HORN		
575-001	REAR LICENSE PLATE MOUNT END OF FRAME		
312-095	DUAL STAGE INTELLIGENT LED HEADLIGHTS WITH HEATED LENS SYSTEM		
302-072	ROOF MOUNTED LED MARKER LIGHTS		
314-823	WIRING AND SWITCH FOR CUSTOMER FURNISHED SNOW PLOW LAMPS WITH SINGLE CONNECTION AT LH FORWARD		
311-001	DAYTIME RUNNING LIGHTS		
294-1AY	INTEGRAL LED STOP/TAIL/BACKUP LIGHTS		
300-043	LED SIDE TURN SIGNAL		
744-106	C-BAR MIRROR SYSTEM WITH DUAL HEATED MIRRORS WITH INTEGRAL HEATED CONVEX, DUAL REMOTE, STAINLESS STEEL BACK COVER, AND BLACK C-BAR		
796-001	102 INCH EQUIPMENT WIDTH		
743-209	LH AND RH CONVEX MIRRORS INTEGRAL WITH PRIMARY MIRRORS		
74A-001	RH DOWN VIEW MIRROR		
74B-114	RH AND LH HEATED BLACK HOOD/FENDER MOUNTED SIDE VIEW MIRRORS WITH BRIGHT FINISH MOUNTING ARM	8	
729-001	STANDARD SIDE/REAR REFLECTORS		

Prepared for:
 Mike Gallagher
 STRONGSVILLE CITY OF
 16099 FOLTZ INDUSTRIAL
 PKWY

STRONGSVILLE, OH 44149
 Phone: 440-580-3176

Prepared by:
 Greg Simonic
 VALLEY FREIGHTLINER, INC.
 10901 Brookpark Rd
 Parma, OH 44130
 Phone: 216-267-4800

Data Code	Description	Weight Front	Weight Rear
677-098	UNPOLISHED ALUMINUM WST AFTERTREATMENT SYSTEM COVER		
768-064	SINGLE SOLAR TINTED REAR WINDOW, (1) 31 INCH X 20 INCH		
663-019	1-PIECE ROPED-IN SOLAR GREEN GLASS WINDSHIELD		
659-006	8 LITER (2 GAL) WINDSHIELD WASHER RESERVOIR, CAB MOUNTED, WITH FLUID LEVEL INDICATOR		
Cab Interior			
055-015	X-SERIES BASE INTERIOR TRIM LEVEL PACKAGE		
707-1C3	CHARCOAL BLACK VINYL BASE LEVEL INTERIOR		
70K-016	CARBON WITH BASE BLACK ACCENT		
772-001	BLACK MATS		
785-014	(2) DASH MOUNTED POWER OUTLETS AND COIN TRAY		
691-001	FORWARD ROOF MOUNTED CONSOLE		
693-019	LH AND RH DOOR STORAGE POCKETS INTEGRATED INTO MOLDED DOOR PANELS		
741-015	(2) COAT HOOKS ON BACKWALL OF CAB		
738-021	DIGITAL ALARM CLOCK IN DRIVER DISPLAY		
170-015	STANDARD HEATER PLUMBING		
698-001	RADIATOR MOUNTED AIR CONDITIONER CONDENSER		
739-033	STANDARD INSULATION		
324-1B3	STANDARD LED CAB LIGHTING		
787-998	NO SECURITY DEVICE		
657-138	ALL UNIT (S) KEYED ALIKE WITH CUSTOMER SPECIFIED KEY NUMBER FT1041		
78G-004	KEY QUANTITY OF 4		
655-028	LH AND RH ELECTRIC DOOR LOCKS WITH AUTO UNLOCK FEATURE WHEN DOOR IS SET FROM OPEN TO CLOSED POSITION		
64C-003	BLACK DOOR HANDLES		
756-1J6	PREMIUM 2.0 HIGH BACK AIR SUSPENSION DRIVER SEAT WITH 2 AIR LUMBAR, INTEGRATED CUSHION EXTENSION, TILT AND ADJUSTABLE SHOCK	20	
760-294	BATTERY BOX MID BACK NON SUSPENSION PASSENGER SEAT		

Prepared for:
 Mike Gallagher
 STRONGSVILLE CITY OF
 16099 FOLTZ INDUSTRIAL
 PKWY

STRONGSVILLE, OH 44149
 Phone: 440-580-3176

Prepared by:
 Greg Simonic
 VALLEY FREIGHTLINER, INC.
 10901 Brookpark Rd
 Parma, OH 44130
 Phone: 216-267-4800

Data Code	Description	Weight Front	Weight Rear
759-009	INBOARD DRIVER SEAT ARMREST, NO PASSENGER SEAT ARMREST	2	
758-139	BLACK VINYL DRIVER SEAT COVER WITH NO LOGO		
761-138	BLACK MORDURA CLOTH PASSENGER SEAT COVER WITH NO LOGO		
763-1AA	3 POINT ADJUSTABLE D-RING RETRACTOR DRIVER AND FIXED D-RING RETRACTOR PASSENGER SEAT BELTS		
532-002	ADJUSTABLE TILT AND TELESCOPING STEERING COLUMN		
540-044	4-SPOKE 18 INCH (450MM) BLACK STEERING WHEEL WITH SWITCHES		
765-002	DRIVER AND PASSENGER INTERIOR SUN VISORS		

Instruments & Controls

185-004	STANDARD FOOT PEDAL SYSTEM		
106-002	ELECTRONIC ACCELERATOR CONTROL		
870-001	BLACK GAUGE BEZELS		
734-018	STANDARD CENTER INSTRUMENT PANEL		
840-001	DUAL NEEDLE PRIMARY AND SECONDARY AIR PRESSURE GAUGE		
198-025	INTAKE MOUNTED AIR RESTRICTION INDICATOR WITHOUT GRADUATIONS		
721-021	87 DB TO 112 DB SELF-ADJUSTING BACKUP ALARM		3
149-015	ELECTRONIC CRUISE CONTROL WITH CONTROLS ON STEERING WHEEL SPOKES		
156-007	KEY OPERATED IGNITION SWITCH AND INTEGRAL START POSITION; 4 POSITION OFF/RUN/START/ACCESSORY		
339-007	AUXILIARY POWER DISTRIBUTION MODULE FOR TEM USE, AUXILIARY EVault MOUNTED, CIRCUIT BREAKER PROTECTED		
811-044	PREMIUM INSTRUMENT CLUSTER WITH 5.0 INCH TFT COLOR DISPLAY		
81B-003	DIGITAL PANEL LAMP DIMMER SWITCH IN DRIVER DISPLAY		
160-045	HEAVY DUTY ONBOARD DIAGNOSTICS INTERFACE CONNECTOR WITH DUST CAP LOCATED BELOW LH DASH		
844-001	2 INCH ELECTRIC FUEL GAUGE		
148-073	ENGINE REMOTE INTERFACE FOR REMOTE THROTTLE		

Prepared for:
 Mike Gallagher
 STRONGSVILLE CITY OF
 16099 FOLTZ INDUSTRIAL
 PKWY

STRONGSVILLE, OH 44149
 Phone: 440-580-3176

Prepared by:
 Greg Simonic
 VALLEY FREIGHTLINER, INC.
 10901 Brookpark Rd
 Parma, OH 44130
 Phone: 216-267-4800

Data Code	Description	Weight Front	Weight Rear
856-001	ELECTRICAL ENGINE COOLANT TEMPERATURE GAUGE		
854-998	NO ENGINE OIL TEMPERATURE GAUGE		
852-002	ELECTRIC ENGINE OIL PRESSURE GAUGE		
864-001	2 INCH TRANSMISSION OIL TEMPERATURE GAUGE		
867-004	ELECTRONIC OUTSIDE TEMPERATURE SENSOR DISPLAY IN DRIVER MESSAGE CENTER		
830-017	ENGINE AND TRIP HOUR METERS INTEGRAL WITHIN DRIVER DISPLAY		
372-123	PTO CONTROLS FOR ENHANCED VEHICLE ELECTRIC/ELECTRONIC ARCHITECTURE		
736-998	NO OBSTACLE DETECTION SYSTEM		
73K-998	NO SIDE OBJECT DETECTION SYSTEM		
72J-998	NO DR ASSIST SYSTEM		
49B-998	NO VEHICLE STABILITY ADVISOR OR CONTROL		
73B-998	NO LANE DEPARTURE WARNING SYSTEM		
35M-012	QUICKFIT PROGRAMMABLE INTERFACE MODULE + (8) 20 AMP FUSED RELAYS		
786-113	GENERIC TELEMATICS PREWIRE (CONSTANT BATTERY POWER/IGNITION/GROUND/J1939); RP1226 TYPE CONNECTOR AT PASSENGER SIDE OF DASH END		
6TS-005	TMC RP1226 ACCESSORY CONNECTOR LOCATED BEHIND PASSENGER SIDE REMOVEABLE DASH PANEL		
746-137	AM/FM/WB WORLD TUNER RADIO WITH BLUETOOTH, USB AND AUXILIARY INPUTS, J1939		
747-001	DASH MOUNTED RADIO		
750-041	STANDARD SPEAKER SYSTEM		
* 753-007	AM/FM ANTENNA MOUNTED ON RH SIDE MIRROR		
751-998	NO SPEAKER/LEAD FOR 2-WAY RADIO		
752-998	NO CB ANTENNA, BRACKET OR LEAD		
* 75W-001	HEADLINER MULTI-BAND ANTENNA: AM/FM/WEATHERBAND, WIFI/BLUETOOTH, GNSS/GPS		
810-027	ELECTRONIC MPH SPEEDOMETER WITH SECONDARY KPH SCALE, WITHOUT ODOMETER		
812-032	ELECTRONIC 2500 RPM TACHOMETER		
813-1C8	DETROIT CONNECT PLATFORM HARDWARE		

Prepared for:
 Mike Gallagher
 STRONGSVILLE CITY OF
 16099 FOLTZ INDUSTRIAL
 PKWY

STRONGSVILLE, OH 44149
 Phone: 440-580-3176

Prepared by:
 Greg Simonic
 VALLEY FREIGHTLINER, INC.
 10901 Brookpark Rd
 Parma, OH 44130
 Phone: 216-267-4800

Data Code	Description	Weight Front	Weight Rear
8D1-315	5 YEARS DAIMLER CONNECTIVITY BASE PACKAGE (FEATURES VARY BY MODEL) POWERED BY DETROIT CONNECT ON CUMMINS ENGINES		
162-002	IGNITION SWITCH CONTROLLED ENGINE STOP		
329-129	FOUR EXTRA HARDWIRED SWITCHES IN DASH, ROUTE TO UNDER CAB, BLUNTCUT		
4C1-025	HARDWIRE SWITCH #1, ON/OFF LATCHING, 20 AMPS IGNITION POWER		
4C2-026	HARDWIRE SWITCH #2, ON/OFF LATCHING, 10 AMPS BATTERY POWER		
4C3-017	HARDWIRE SWITCH #3, ON/OFF LATCHING, 10 AMPS BATTERY POWER		
4C4-017	HARDWIRE SWITCH #4, ON/OFF LATCHING, 10 AMPS BATTERY POWER		
81Y-005	PRE-TRIP INSPECTION FEATURE FOR EXTERIOR LAMPS ONLY		
883-002	REAR SPRING LOADED HAND CONTROL BRAKE VALVE	2	
842-006	DIGITAL TURBO AIR PRESSURE IN DRIVER DISPLAY		
836-015	DIGITAL VOLTAGE DISPLAY INTEGRAL WITH DRIVER DISPLAY		
304-030	ROTARY HEADLAMP SWITCH, MARKER LIGHTS/HEADLIGHTS SWITCH WITH PULL OUT FOR OPTIONAL FOG/ROAD LAMPS		
* 882-018	ONE VALVE PARKING BRAKE SYSTEM WITH DASH VALVE CONTROL AUTONEUTRAL AND WARNING INDICATOR		
299-020	SELF CANCELING TURN SIGNAL SWITCH WITH DIMMER, HEADLAMP FLASH, WASH/WIPE/INTERMITTENT		
48H-002	QUICKFIT POWERTRAIN INTERFACE CONNECTOR LOCATED BETWEEN SEATS WITH BLUNTCUTS		
48C-001	QUICKFIT PROGRAMMABLE INTERFACE CONNECTOR(S) BETWEEN SEATS WITH CAP		

Design

065-000 PAINT: ONE SOLID COLOR

Color

980-5AA CAB COLOR A: L2745EY VERMILLION ELITE EY
 986-020 BLACK, HIGH SOLIDS POLYURETHANE CHASSIS PAINT

Extended Front Axle Coverage

Prepared for:
 Mike Gallagher
 STRONGSVILLE CITY OF
 16099 FOLTZ INDUSTRIAL
 PKWY

STRONGSVILLE, OH 44149
 Phone: 440-580-3176

Prepared by:
 Greg Simonic
 VALLEY FREIGHTLINER, INC.
 10901 Brookpark Rd
 Parma, OH 44130
 Phone: 216-267-4800

Data Code	Description	Weight Front	Weight Rear
WA4-035	AXLE: DETROIT FRONT ONLY: HD MODERATE 5 YEARS/100,000 MILES/161,000 KM EXTENDED AXLE COVERAGE		

Certification / Compliance

996-001	U.S. FMVSS CERTIFICATION, EXCEPT SALES CABS AND GLIDER KITS
---------	---

TOTAL VEHICLE SUMMARY

Weight Summary

	Weight Front	Weight Rear	Total Weight
Factory Weight ⁺	8229 lbs	4599 lbs	12828 lbs
Total Weight ⁺	8229 lbs	4599 lbs	12828 lbs

Extended Warranty

WAI-47H	CUM 2017 L9: HD1 MD DTY 5 YEARS / 100,000 MILES / 161,000 KM EXTENDED WARRANTY. FEX APPLIES
WBB-338	TC4: US HD STANDARD/MODERATE VOCATIONAL 5 YEARS/100,000 MILES/161,000 KM EXTENDED TRUCK COVERAGE
WAL-217	AXLE: NON-DETROIT SINGLE REAR ONLY: HD MODERATE 5 YEARS/100,000 MILES/161,000 KM EXTENDED COVERAGE

(+) Weights shown are estimates only.

If weight is critical, contact Customer Application Engineering.

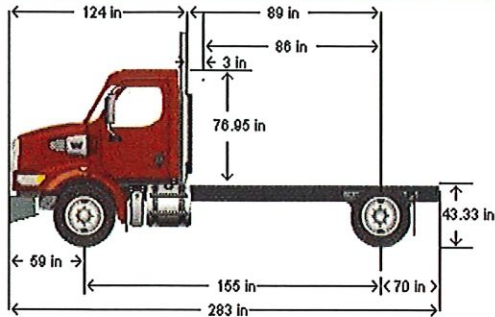
(***) All cost increases for major components (Engines, Transmissions, Axles, Front and Rear Tires) and government mandated requirements, tariffs, and raw material surcharges will be passed through and added to factory invoices.

Prepared for:
 Mike Gallagher
 STRONGSVILLE CITY OF
 16099 FOLTZ INDUSTRIAL
 PKWY

STRONGSVILLE, OH 44149
 Phone: 440-580-3176

Prepared by:
 Greg Simonic
 VALLEY FREIGHTLINER, INC.
 10901 Brookpark Rd
 Parma, OH 44130
 Phone: 216-267-4800

D I M E N S I O N S



VEHICLE SPECIFICATIONS SUMMARY - DIMENSIONS

Model	47X
Wheelbase (545)	3925MM (155 INCH) WHEELBASE
Rear Frame Overhang (552)	1775MM (70 INCH) REAR FRAME OVERHANG
Fifth Wheel (578)	NO FIFTH WHEEL
Mounting Location (577)	NO FIFTH WHEEL LOCATION
Maximum Forward Position (in)	0
Maximum Rearward Position (in)	0
Amount of Slide Travel (in)	0
Slide Increment (in)	0
Desired Slide Position (in)	0.0
Cab Size (829)	111.6 INCH BBC CONVENTIONAL ALUMINUM CAB
Sleeper (682)	NO SLEEPER BOX/SLEEPER CAB
Exhaust System (016)	RH OUTBOARD UNDER STEP MOUNTED HORIZONTAL AFTERTREATMENT SYSTEM ASSEMBLY WITH RH B-PILLAR MOUNTED VERTICAL TAILPIPE

TABLE SUMMARY - DIMENSIONS

Prepared for:
 Mike Gallagher
 STRONGSVILLE CITY OF
 16099 FOLTZ INDUSTRIAL
 PKWY

STRONGSVILLE, OH 44149
 Phone: 440-580-3176

Prepared by:
 Greg Simonic
 VALLEY FREIGHTLINER, INC.
 10901 Brookpark Rd
 Parma, OH 44130
 Phone: 216-267-4800

Dimensions	Inches
Bumper to Back of Cab (BBC)	123.8
Bumper to Centerline of Front Axle (BA)	58.7
Front Axle to Back of Cab (AC)	65.2
Min. Cab to Body Clearance (CB)	3.0
Back of Cab to Centerline of Rear Axle(s) (CA)	89.4
Effective Back of Cab to Centerline of Rear Axle(s) (Effective CA)	86.4
Back of Cab Protrusions (Exhaust/Intake) (CP)	2.0
Back of Cab Protrusions (Side Extenders/Trim Tab) (CP)	0.0
Back of Cab Protrusions (CNG Tank)	0.0
Back of Cab Clearance (CL)	3.0
Back of Cab to End of Frame	159.3
Cab Height (CH)	76.9
Wheelbase (WB)	154.5
Frame Overhang (OH)	69.9
Overall Frame Length	281.4
Overall Length (OAL)	283.1
Rear Axle Spacing	0.0
Unladen Frame Height at Centerline of Rear Axle	43.3

Performance calculations are estimates only. If performance calculations are critical, please contact Customer Application Engineering.

Prepared for:
 Mike Gallagher
 STRONGSVILLE CITY OF
 16099 FOLTZ INDUSTRIAL
 PKWY

STRONGSVILLE, OH 44149
 Phone: 440-580-3176

Prepared by:
 Greg Simonic
 VALLEY FREIGHTLINER, INC.
 10901 Brookpark Rd
 Parma, OH 44130
 Phone: 216-267-4800

Q U O T A T I O N

WESTERN STAR 47X

SET BACK AXLE - TRUCK
 CUM L9 350 HP @ 2200 RPM; 2200 GOV RPM, 1050 LB-
 FT @ 1200 RPM
 ALLISON 3000 RDS AUTOMATIC TRANSMISSION WITH
 PTO PROVISION
 CUMMINS-MERITOR RS-23-160 23,000# R-SERIES
 SINGLE REAR AXLE

 30,000# FLAT LEAF SPRING REAR SUSPENSION WITH
 HELPER AND RADIUS ROD

DETROIT DA-F-18.0-5 18,000# FL1 71.0 KPI/3.74 DROP
 SINGLE FRONT AXLE
 18,000# FLAT LEAF FRONT SUSPENSION
 111.6 INCH BBC CONVENTIONAL ALUMINUM CAB
 3925MM (155 INCH) WHEELBASE
 11.0MM X 85.0MM X 287.0MM STEEL FRAME
 (0.43X3.35X11.30 INCH) 120 KSI
 1775MM (70 INCH) REAR FRAME OVERHANG

			PER UNIT		TOTAL
VEHICLE PRICE	TOTAL # OF UNITS (2)	\$	123,888	\$	247,776
EXTENDED WARRANTY		\$	4,480	\$	8,960
DEALER INSTALLED OPTIONS		\$	0	\$	0
CUSTOMER PRICE BEFORE TAX		\$	128,368	\$	256,736

TAXES AND FEES

TAXES AND FEES		\$	0	\$	0
OTHER CHARGES		\$	0	\$	0

TRADE-IN

TRADE-IN ALLOWANCE		\$	(0)	\$	(0)
--------------------	--	----	-----	----	-----

BALANCE DUE	(LOCAL CURRENCY)	\$	128,368	\$	256,736
-------------	------------------	----	---------	----	---------

This vehicle/vehicles/chassis is proposed under Ohio Department of Transportation contract 023-24 cooperative pricing. Pricing is valid for Ohio municipal purchases and eligibility coincides with contract terms and dates. It is the responsibility of the purchasing entity to determine eligibility and request any permission for cooperative purchasing. Invoicing with payment terms will occur upon delivery of bare chassis within state borders and titles will be transferred and delivered promptly upon receipt of payment. If this is an order (not stock), please consult with your bodybuilder to ensure all dimensions, ratings, and necessary chassis components are included in this specification. The proposed vehicle/vehicles may or may not be available with a variety of safety and collision mitigation options in which the specifications will identify if it/they are included. All specifications and pricing are subject to final production, engineering review, availability, and manufacturer surcharges. A signed proposal or purchase order to this proposal thereby agrees to the pricing, specifications, and terms herein unless other arrangements are documented, but does not guarantee production

APPROVAL:

Please indicate your acceptance of this quotation by signing below:

Customer: X Thomas B. Berwick, Mayor Date: 3/4/2024

Prepared for:
Mike Gallagher
STRONGSVILLE CITY OF
16099 FOLTZ INDUSTRIAL
PKWY

STRONGSVILLE, OH 44149
Phone: 440-580-3176

Prepared by:
Greg Simonic
VALLEY FREIGHTLINER, INC.
10901 Brookpark Rd
Parma, OH 44130
Phone: 216-267-4800



OHIO DEPARTMENT OF TRANSPORTATION

CENTRAL OFFICE • 1980 WEST BROAD STREET • COLUMBUS, OH 43223

MIKE DEWINE, GOVERNOR • JACK MARCHBANKS, PH.D., DIRECTOR

October 16, 2023

Valley Freightliner Sterling and Western Star, Inc
10901 Brook Park Rd.
Parma, OH 44130

Re: 023-24
Single & Tandem Axle Cab and Chassis

Dear Vendor:

Your bid proposal as submitted has been accepted by the Ohio Department of Transportation.

This Invitation permits multiple awarded vendors to provide Single & Tandem Axle Cab and Chassis. The contract will be in effect from October 16, 2023 to October 31, 2024.

A purchase shall only take place upon the issuance of an official purchase order or the use of a payment card. There is no guarantee that purchase orders will be issued or that products will be ordered against issued purchase orders.

Thank you for bidding on our invitation. Todd VanKirk is available for any assistance necessary to ensure that a quality partnership exists between your company and our Department. If you have any questions, please call (614) 466-3209.

Respectfully,

A handwritten signature in black ink, appearing to read "Jack Marchbanks".

Jack Marchbanks, Ph.D.
Director
Ohio Department of Transportation

Prepared for:
Mike Gallagher
STRONGSVILLE CITY OF
16099 FOLTZ INDUSTRIAL
PKWY

STRONGSVILLE, OH 44149
Phone: 440-580-3176

Prepared by:
Greg Simonic
VALLEY FREIGHTLINER, INC.
10901 Brookpark Rd
Parma, OH 44130
Phone: 216-267-4800